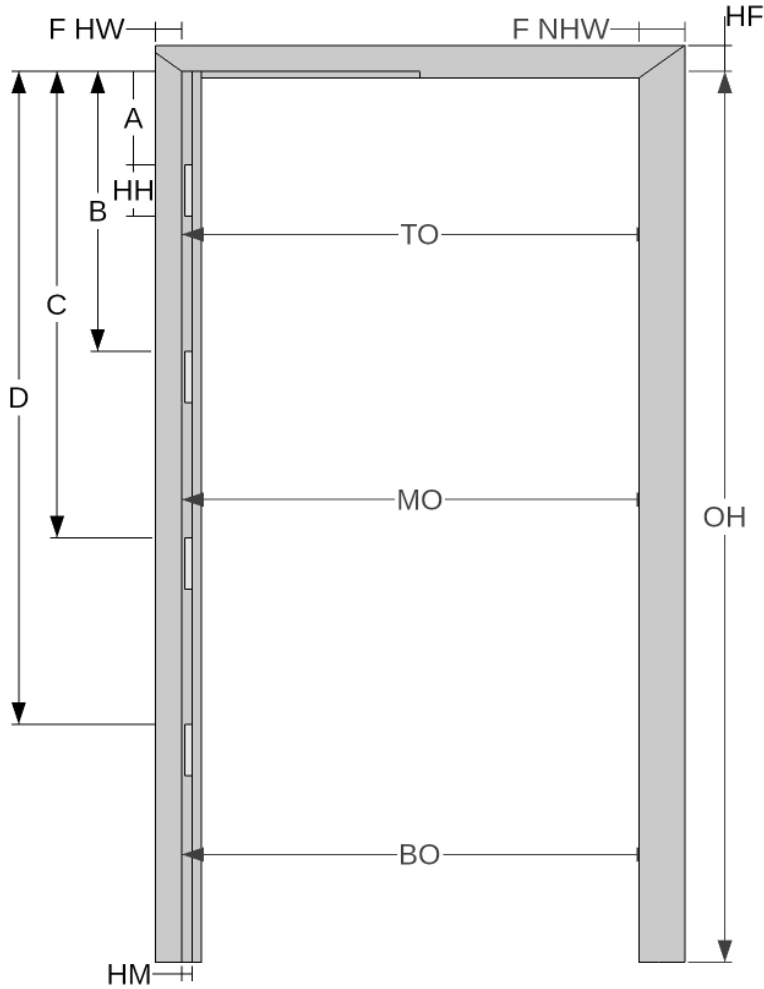


# HMF EXPRESS

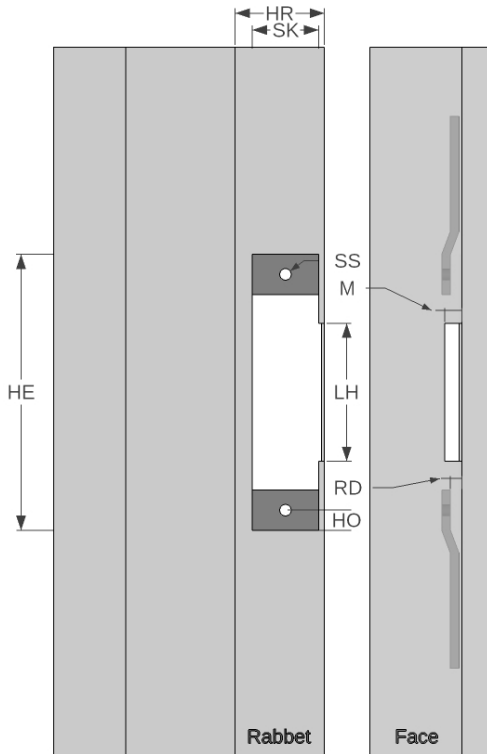
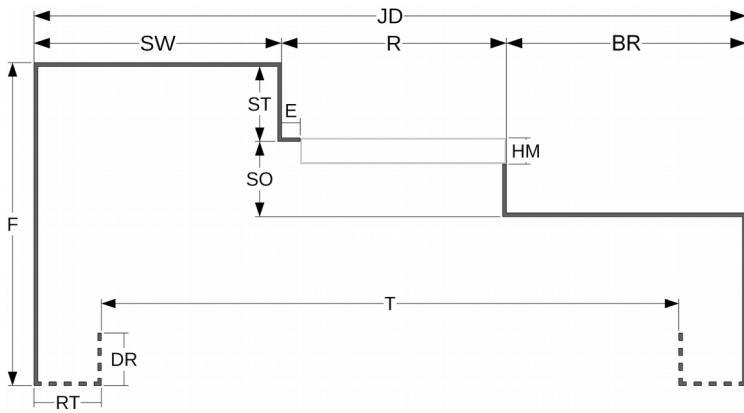


		H.W.	N.H.W.
TO	Top Opening Width	_____	_____
MO	Middle Opening Width	_____	_____
BO	Bottom Opening Width	_____	_____
OH	Opening Height	_____	_____
F	Face Width	_____	_____
HF	Head Face	_____	_____
DL	Bottom to CL of DL Strike		_____
SC	Bottom to CL of Strike		_____
A	Top Hinge <small>Measured from top of opening to top of prep.</small>		_____
B	Second Hinge		_____
C	Third Hinge		_____
D	Fourth Hinge		_____
HH	Hinge Height		_____
HM	Hinge Mortise Depth		_____

Quantity:		Gauge:		Material:		Handing:	
-----------	--	--------	--	-----------	--	----------	--

Frame Construction:		Fire Label:		Other Hardware Preps:	
---------------------	--	-------------	--	-----------------------	--

<b>Field Measurement Form</b> <b>Double Egress Profile</b> Project: _____	<b>HMF EXPRESS</b> <a href="http://www.HMFEXPRESS.com">www.HMFEXPRESS.com</a> Phone: 866-452-1845 Fax: 866-452-9173 2051 Northchase Parkway SE Wilmington, NC 28405	Date:	Mark #:
		By:	
		Page: ____ of ____	



	<b>H.W.</b>	<b>N.H.W.</b>
SO	First Stop Height	_____
ST	Second Stop Height	_____
F	Face Width	_____
RT	Return Width	_____
DR	Drywall Return Width	_____
JD	Jamb Depth	_____
SW	Soffit Width	_____
R	H.W. Rabbet	_____
BR	Base Rabbet	_____
E	Hinge Backset	_____
HM	Hinge Mortise Depth	_____
T	Throat	_____

	<b>Lock</b>	<b>Deadlock</b>
SK	Strike Width	_____
HE	Strike Height	_____
LH	Lip Height	_____
M	Lip Mortise Depth	_____
HO	Screw Hole Location	_____
RD	Reinforcement Depth	_____
SS	Screw Size	_____

<b>Field Measurement Form</b> <b>Double Egress Profile</b>	 <a href="http://www.HMFEXPRESS.com">www.HMFEXPRESS.com</a> <b>Phone: 866-452-1845 Fax: 866-452-9173</b> 2051 Northchase Parkway SE Wilmington, NC 28405	Date:	Mark #:
		By:	
Project:		Page: ___ of ___	