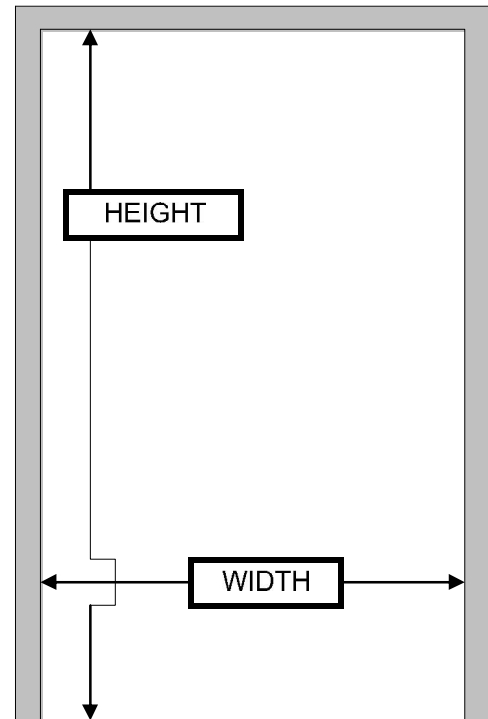
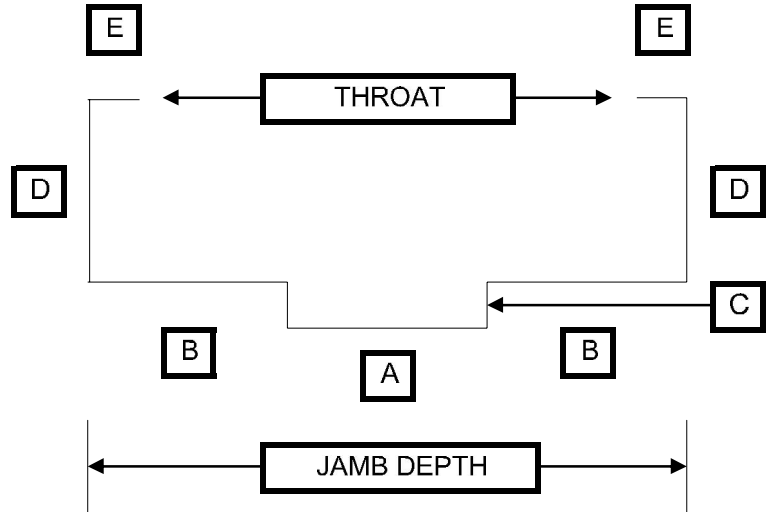


A-Masonry Double Rabbet

FRAME PART	UL RATED	NON RATED
THROAT		
MINIMUM	3 5/8"	3 1/4"
MAXIMUM	13"	No Limit
A = SOFFIT		
MINIMUM	1"	5/8"
MAXIMUM	10 1/2"	No Limit
B = RABBETS		
MINIMUM	5/8"	5/8"
MAXIMUM	To Suit Door	No Limit
C = STOP		
MINIMUM	5/8"	5/8"
MAXIMUM	Varies	No Limit
D = FACES		
MINIMUM	1 1/4"	5/8"
MAXIMUM	4"	No Limit
E = RETURNS		
MINIMUM	3/8"	0"
MAXIMUM	3/4"	No Limit
HEIGHT		
MINIMUM	20"	18"
MAXIMUM	120"	No Limit
WIDTH - SGL.		
MINIMUM	6"	No Limit
MAXIMUM	48"	No Limit
WIDTH PAIR		
MINIMUM	12"	No Limit
MAXIMUM	96"	No Limit



** Maximum Fire Rating = 3 Hour **

Available KD or Welded (Face Only or Continuous)

Rough Opening = Overall Frame Size + Clearance

ANCHOR OPTIONS

UL - All Existing, Stud, & Masonry types

Non UL - SAME