

HMF EXPRESS

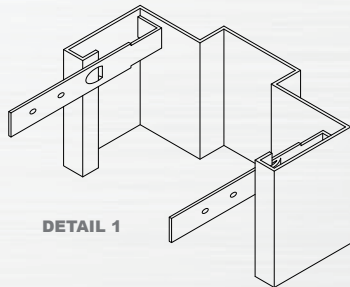
(910) 452-1845 | Fax: (910) 452-1848 | www.HMFExpress.com

Installing KD Drywall Type Sidelights (and 3-Sided Frames)

The following instructions show how to install a standard KD drywall 3-sided frame. The added instructions in **red** are needed for installing a KD drywall sidelight frame:

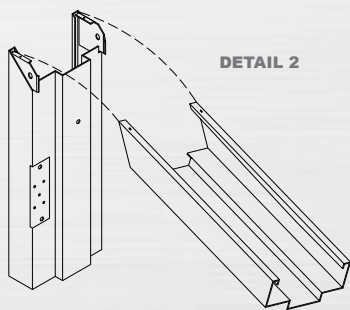
1) Verify rough opening is correct and is plumb, true, and square.

2) Install base clips on bottom of jambs (see detail 1)



3) Install hinge jamb

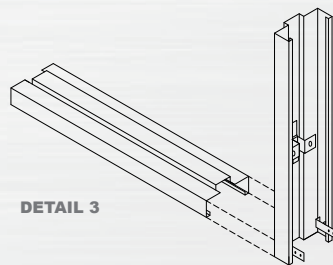
4) Install head and engage hinge jamb corner gusset (see detail 2)



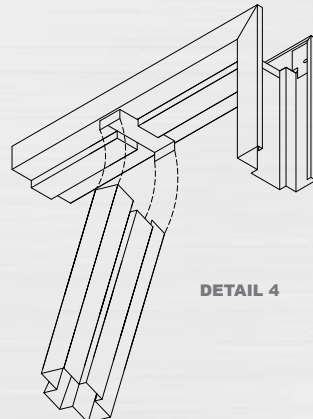
5) Install outside (or sidelight) jamb and engage corner gusset at head

6) Make compression anchors hand-tight

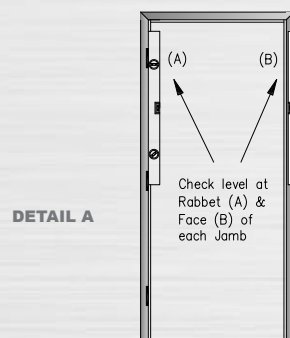
7) Locate sill in place on floor beside outside jamb (see detail 3)



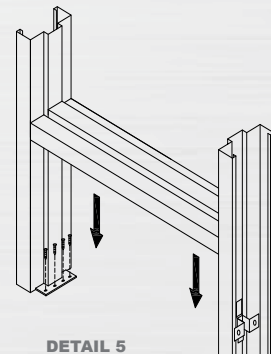
8) Fit top of vertical mullion over bracket in head (see detail 4)



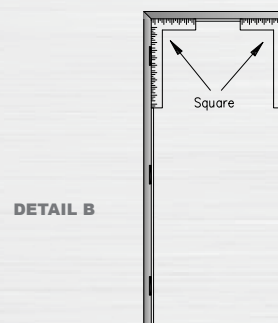
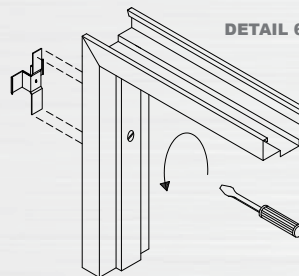
9) Swing vertical mullion into place — plumb, true, and square (see detail A)



10) Lift sill and fasten mullion bracket to floor (see detail 5)

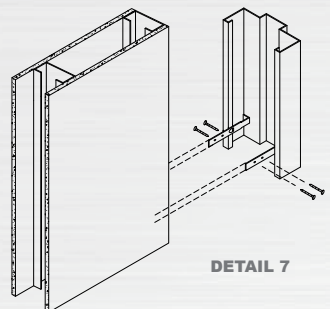


11) Finish tightening compression anchors in both jambs, alternating counter-clockwise turns of compression anchors to assure head remains square (see details 6 & B)

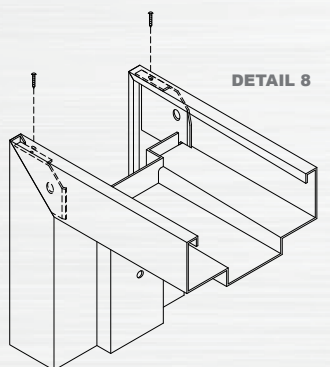


12) Verify opening width at top, middle, and bottom

13) Fasten bottom of jambs to wall, assuring they remain plumb, square, and true (see detail 7)



14) Install screws in corner gussets (see detail 8)



15) Secure or save glass bead for installation of glass and glazing