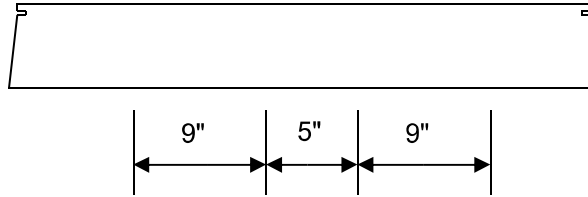


## 6 Panel Embossed Door (6-8 & 7-0 Designs)



Classic 6 Panel Design  
3-0 to 3-6 Wide (2-8 Wide Possible)  
Hemmed Edge Seam Construction  
Insulated Core  
.70 to .89 Density Type X1 Polystyrene  
Bonded Full Height Edge Seam  
Mechanically Interlocked Edge Seam  
Available 18 Gauge Galv. Only  
14 Gauge Top and Bottom Channels

Hardware Reinforcement:

Hinge = 7 Gauge

161 Lock = 16 Gauge

86 Lock = 14 Gauge

Closer = 14 Gauge

Baked on Grey Primer

Square or Bevelled Edge

Seamless - Tack & Filled Only

Fire Ratings:

Thickness 1 3/4" Fire Rated

Thickness 1 3/8" Fire Rated

Available 18 Gauge - Rated

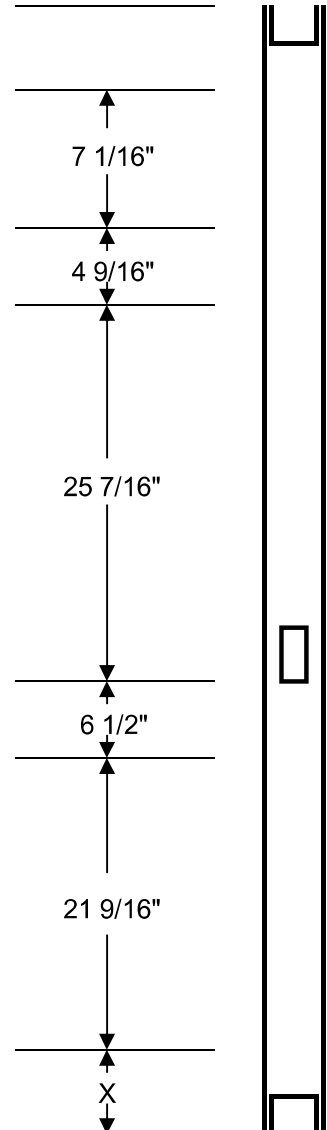
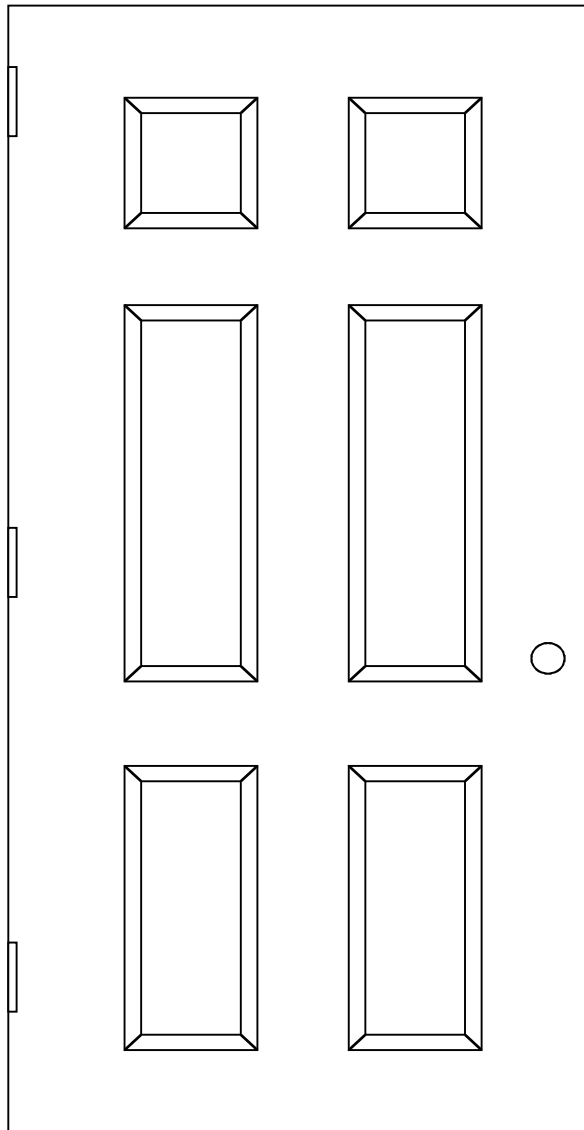
90 Min. to 3-6 x 7-0 (7-0 x 7-0 Pr)

Estimated Performance:

Acoustical Value - STC 32

R Value - 6.87

U Value - .146



6-8 Door "X" = 8 1/8"  
7-0 Door "X" = 12 1/8"