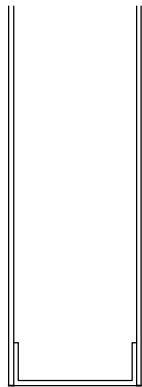
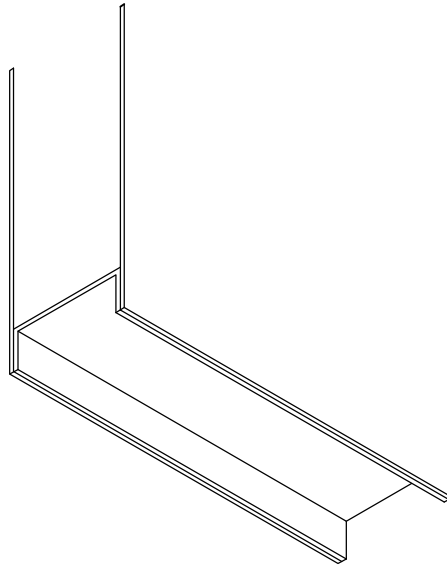
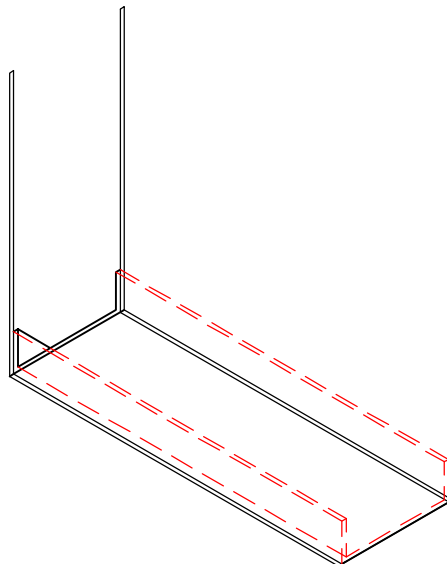


INVERTED



FLUSH



APPROVED BY:

DATE

7/8/10

DRAWN BY:  
BRICE POSTON

EdgeSeam  
Options.dwg

BOTTOM CHANNEL  
OPTIONS

NOTES: